



Patents, Designs, and Trade Marks

SUPPLEMENT

TO THE

NEW ZEALAND GAZETTE

OF

THURSDAY, FEBRUARY 10, 1910.

Published by Authority.

WELLINGTON, THURSDAY, FEBRUARY 10, 1910.

CONTENTS.

	Page
International and Intercolonial Arrangements for the Mutual Protection of Patents and Trade Marks ..	581
Applications for Letters Patent filed	582
Complete Specifications filed after Provisionals ..	582
Complete Specifications accepted	583
Provisional Specifications accepted	586
Letters Patent sealed	586
Letters Patent on which Fees have been paid ..	586
Subsequent Proprietors of Letters Patent registered ..	586
Request to amend Specification allowed	587
Applications for Letters Patent withdrawn ..	587
Applications for Letters Patent abandoned ..	587
Applications for Letters Patent void	587
Applications for Letters Patent lapsed	587
Letters Patent void	587
Applications for Trade Marks filed	587
Applications for Registration of Trade Marks ..	588
Applications for Trade Marks abandoned or refused ..	592
Request for Correction of Clerical Error in Trade Mark Application	592
Request for Amendment of Trade Mark Application ..	592
Trade Marks registered	592
Subsequent Proprietors of Trade Marks registered ..	592
Trade Mark Renewal Fee paid	592
Trade Marks removed from the Register	592
Trade Mark Registration cancelled	592

International and Intercolonial Arrangements for the Mutual Protection of Patents and Trade Marks.

INTERNATIONAL CONVENTION.

THE following countries now belong to the Convention :—

- | | |
|--|--|
| Australia. | Italy. |
| Austria-Hungary. | Japan. |
| Belgium. | Mexico. |
| Brazil. | New Zealand. |
| Ceylon. | Norway. |
| Cuba. | Portugal, with the Azores and Madeira. |
| Denmark and Faroe Islands. | Servia. |
| Dominican Republic. | Spain. |
| France, with Algeria and Colonies. | Sweden. |
| Germany. | Switzerland. |
| Great Britain. | Tunis. |
| Holland, with East Indian Colonies, Curaçoa, and Surinam.* | United States of America. |

* Trade marks only.

Separate arrangements have been made between Australia and New Zealand.

Particulars of the Convention and of such arrangements may be seen in the following *Gazettes* :—

Notification of adhesion of New Zealand to the Convention, with text thereof (in English), in the *Gazette* of 26th November, 1891; notification of adherence of New Zealand to the Additional Act of the Convention, with text (in English), of such Additional Act, in Patents Supplement to *Gazette* No. 101, of the 16th November, 1905; Order in Council applying section 103 of the Imperial Act to New Zealand, in *Gazette* No. 27, of the 15th May, 1890; Orders in Council containing arrangements between Australia and New Zealand, in Patent Supplements to the *Gazette* Nos. 22 of the 9th March, 1905, and 38 of the 20th April, 1905.

Applications for Letters Patent filed.

LIST of applications for Letters Patent filed. (Where a complete specification accompanies an application an asterisk is affixed; in all other cases a provisional specification has been lodged. In all cases where the applicant is not the inventor the name of the latter appears in italics in brackets. † Denotes an application under the International and Intercolonial Arrangements.)

Lewis, W., Wellington, N.Z.	Acetylene generator; 27192; 24th January.
Stewart, D., Te Hapara, N.Z.	Seed-sower*; 27193; 25th January.
Roche, S., Wellington, N.Z.	Rheumatism, &c., cure; 27194; 25th January.
United Shoe Machinery Company, Paterson, U.S.A. (<i>Gibson, J. G., and Pegg, G.</i>)	Nail-feeding device; 27195; 25th January.
Hammond, G., Hartford, U.S.A.	Gun*; 27196; 25th January.
Darlington, T., New York, U.S.A.	Gun*; 27196; 25th January.
Lietz, W. F., Wellington, N.Z.	Closet; 27197; 25th January.
Deister, E., Fort Wayne, U.S.A.	Ore-concentrator driving-mechanism*; 27198; 25th January.
Wright, A. H., Auckland, N.Z.	Stamping, impressing, &c., machine; 27199; 25th January.
Blair-Mason, J., Dunedin, N.Z.	Door; 27200; 24th January.
Loudon, J., Dunedin, N.Z.	Door; 27200; 24th January.
Allen, G., Dunedin, N.Z.	Door; 27200; 24th January.
Casey, F., Collingwood, Vic.	Steam-engine, auto-gyral*; 27201; 25th January, 1909.†
Gardner, E. B., Hobart, Tas.	Building-block manufacture; 27202; 25th January.
Dillimore, L., Thames, N.Z.	Hat-pin*; 27203; 26th January.
Barnes, L. J., Napier, N.Z.	Flying-machine; 27204; 26th January.
Starkey, W., Napier, N.Z.	Flying-machine; 27204; 26th January.
Fulljames, S. V., Whangarei, N.Z.	Tank-flange; 27205; 24th January.
Parlour, S. C., Morrinsville, N.Z.	Flax-catching machine; 27206; 25th January.
Robson, H., Dannevirke, N.Z.	Venetian-blind; 27207; 27th January.
McKay, W. A., Wellington, N.Z.	Water wheel; 27208; 27th January.
Pauly, A. A., Youngstown, U.S.A.	Artificial stone*; 27209; 26th January.
Martin, W. M., Redruth, Eng.	Ore-separation*; 27210; 24th February, 1909.†
Senior, T., Petone, N.Z.	Milk-bucket; 27211; 28th January.
Hoyland, W., Wellington, N.Z.	Metal clip for show-case; 27212; 28th January.
De Montalk, R. W., Auckland, N.Z.	Concrete and ferro-concrete construction; 27213; 28th January.
Hardley, S., Hamilton, N.Z.	Milk cooler and aerator*; 27214; 27th January.
Hardley, J. W., Auckland, N.Z.	Spouting-bracket*; 27215; 27th January.
Hardley, S., jun., Auckland, N.Z.	Spouting-bracket*; 27215; 27th January.
Hardley, O. E., Auckland, N.Z.	Spouting-bracket*; 27215; 27th January.
Hoyland, W., Wellington, N.Z.	Metal-clip-box construction; 27216; 29th January.
Norgrove, W., Wellington, N.Z.	Rotary steam-engine; 27217; 31st January.
Dempsey, H., Blenheim, N.Z.	Furniture-reviver; 27218; 31st January.
Ogilvie, R., Timaru, N.Z.	Variable-speed gear for motor-cars, &c.; 27219; 31st January.
Bain, J., Waipahi, N.Z.	Attaching draught to horse-hoe; 27220; 28th January.
Stroud, J. J., Invercargill, N.Z.	Vehicle, &c., wheel; 27221; 27th January.
Marshall, R. F., Invercargill, N.Z.	Vehicle, &c., wheel; 27221; 27th January.
Lanchester, E. N., Otaki, N.Z.	Paint-brush binding; 27222; 1st February.
Spencer, B. H., Sydney, N.S.W.	Casement-hinge*; 27223; 1st February.
Hunter, J. D., Dunedin, N.Z.	Brush-carrier for pasteurising apparatus*; 27224; 29th January.
Raper, F., Balclutha, N.Z.	Rifle snap-shot recorder; 27225; 27th January.
Bailey, J. N., Stretford, Eng.	Pneumatic tire, &c., leakage prevention*; 27226; 12th February, 1909.†
Nevill, E., Napier, N.Z.	Aeroplane; 27227; 1st February.
Hydrocarbon Converter Company, New York, U.S.A. (<i>Denham, E. B.</i>)	Gas-manufacture from hydrocarbon oils, &c.*; 27228; 1st February.
McLeod, W., Wanganui, N.Z.	Collapsible seat; 27229; 1st February.
Latham, R., Ngaruawahia, N.Z.	Rifle; 27230; 28th January.
Latham, R., Ngaruawahia, N.Z.	Rifle breech and barrel cooling arrangement; 27231; 28th January.
Larcomb, E., Wellington, N.Z.	Caisson; 27232; 2nd February.
Haworth, R. D., Wellington, N.Z.	Box; 27233; 2nd February.
Christian, A. R., Christchurch, N.Z.	Combined music-stool, coal-cabinet, &c.*; 27234; 31st January.

Complete Specifications filed after Provisionals.

LIST of complete specifications filed after provisional specifications, from the 22nd January to the 4th February, 1910, inclusive:—

- No. 25715.—H. Quertier, weighing-machine, grader, &c.
 No. 25865.—C. A. B. P. Hawkins, B. Ogilvie, and C. J. Nairn, aeroplane.
 No. 25877.—J. M. Thomson, game apparatus.
 No. 25893.—E. S. Haughton, tram-rail cleaner.
 No. 25897.—E. Moss, fire-alarm annunciator.

No. 25905.—J. B. MacEwan and Co., Limited, milking-machine. (A. B. Robertson.)

No. 26008.—United Shoe Machinery Company, lasting-machine. (W. A. Bond.)

No. 26009.—United Shoe Machinery Company, imitation-stitch machine. (A. C. Spencer and L. A. Casgrain.)

No. 26010.—United Shoe Machinery Company, boot, &c., assembling machine. (K. Engel.)

No. 26208.—F. Jira, endless travelling table-filter.

No. 26952.—C. E. Honeyfield, teat-cup.

Notice of Acceptance of Complete Specifications.

Patent Office,
Wellington, 9th February, 1910.

COMPLETE specifications relating to the undermentioned applications for Letters Patent have been accepted, and are open to public inspection at this office. Any person may, at any time within two months from the date of this *Gazette*, give me notice in writing of opposition to the grant of any such patent. Such notice must set forth the particular grounds of objection, and be in duplicate. A fee of 10s. is payable thereon.

The copies of claims and extracts from the specifications and drawings are merely intended to give some further indication of the invention than is disclosed in the title, and the complete specifications and drawings should be referred to for a description of the invention.

No. 25518.—2nd February, 1909.—ARTHUR RAINSFORD CRADDOCK, trading as Craddock and Co., of Christchurch, New Zealand, Engineers. Improvements in flooring-cramps.*

Claims.—(1.) In a flooring-cramp, the employment of a lever, an integrally formed cam with pawls pivotally mounted upon it, substantially as described and illustrated. (2.) In a flooring-cramp, in combination, a frame, a cam eccentrically pivoted therein, a lever for operating said cam, and two pairs of pawls pivotally mounted in said cam, one pair in advance of the other, substantially as and for the purposes specified and illustrated. (3.) A flooring-cramp consisting of the parts constructed, combined, arranged, and operating substantially as specified and illustrated.

(Specification, 3s.)

No. 25689.—12th March, 1909.—ROBERT WALKER, of Dunedin, New Zealand, Tinsmith. Improved device for securing cream- and milk-can lids.*

Claims.—(1.) A device for securing cream- and milk-can lids, comprising a strap having its outer end adapted to embrace the rim of the can and the lid, and its inner end extending under the handle of the lid, a second opposite similar strap sliding on the first strap, and means for locking the straps together so as to secure the lid, substantially as described. (2.) A device for securing cream- and milk-can lids, constructed, arranged, and adapted to operate substantially as described.

(Specification, 2s. 3d.)

No. 25711.—19th March, 1909.—SAMUEL GEORGE ROSEMAN, of Auckland, New Zealand, Brush-manufacturer. Improvements in fibre-bunching apparatus for use in brush-manufacture.*

Claims.—(1.) Means for use in bunching brush-fibres, consisting of a pair of jaws arranged in juxtaposition and adapted to be moved towards or away from each other, each of such jaws being formed with teeth extending from its surface, with a semicircular depression on its outer end, alternating with slots having semicircular inner ends, the two jaws being so arranged that the teeth on one jaw will lie opposite to and be adapted to enter the slot on the other jaw, substantially as specified. (2.) The means for use in bunching brush-fibres substantially as described and explained, and as illustrated in the drawings.

(Specification, 4s.)

No. 25780.—31st March, 1909.—JAMES HANNA, of Yarrow Street, Invercargill, New Zealand, Storeman. Improved apparatus for cleaning and separating seeds.*

Extract from Specification.—According to my invention I use a series of rotating, inclined, perforated, cylindrical screens of various diameters, the mixed seeds being fed into one end of the cylinder which is innermost or of smallest diameter, the seeds, by reason of the rotation and inclined position of the cylinder, moving along to the opposite end of the cylinder.

[NOTE.—The above extract from the specification is inserted in place of the claims.]

(Specification, 3s. 6d.)

No. 26204.—5th July, 1909.—PERCY WILSON, Publisher, and HENRY RODERICK PIKE, Advertising Expert, both of 4 Post Office Chambers, 114A Pitt Street, Sydney, New South Wales, Australia. A combined clip and suspender for certain kinds of reference books.*

Claims.—(1.) The clip for a certain class of books of reference, such as telephone books, consisting of a piece of springy wire twisted and bent round at the top to form a ring or loop, each leg of the appliance being bent inwards and terminating in a loop at the extremity whereby the two legs may be clipped together and secured to the back of a reference book, as set forth. (2.) The general arrangement, construction, and combination of parts in the combined clip and suspender for certain kinds of reference books as described, as illustrated in the drawings, and for the purposes specified.

(Specification, 2s.)

No. 26640.—23rd September, 1909.—COLIN MATHESON BROWNE, of 36 Langridge Street, Middle Park, near Melbourne, Victoria, Australia, Investor. An improved aerating and bottling machine.

Claims.—(2.) In an aerating and bottling machine, a cylindrical or other standard, as 3, fitted with perforated metal or wire-gauze partitions or other means for aerating liquid forced into it, in combination with a turnover bottler mounted upon said standard, substantially as and for the purposes specified, and illustrated in the drawings. (3.) In an aerating and bottling machine, an aerating cylinder or chamber, as 3, forming the standard of a turnover bottler, in combination with a pump for automatically forcing at each operation of said bottler a fresh supply of liquid into said aerating standard, substantially as and for the purposes specified, and as illustrated in the drawings.

[NOTE.—Claims 1 and 4 omitted.]

(Specification, 5s.)

No. 26649.—28th September, 1909.—JOSEPH MESZAROS, of 5 Elsenham Street, Southfields S.W., London, England, Glass-blower. Improvements in and relating to filament electric lamps.

Extract from Specification.—A centrally disposed loosely mounted reflector surrounded with the filaments.

[NOTE.—The above extract from the specification is inserted in place of the claims.]

(Specification, 3s. 6d.)

No. 26696.—8th October, 1909.—JAMES BALL, of 75 South Western Avenue, Chicago, Illinois, United States of America, Shoemaker. Shoes.

Extract from Specification.—A shank iron or stiffener which will at the same time serve to admit air for the proper ventilation of the shoe.

[NOTE.—The above extract from the specification is inserted in place of the claims.]

(Specification, 5s.)

No. 26826.—11th December, 1908.—DONALD MURRAY, of 3 Lombard Street, in the City of London, England, Electrical Engineer. Improved printer for a multiplex-printing telegraph system.

[NOTE.—This is an application under the International and Intercolonial Arrangements, the date given being the official date of the application in Great Britain.]

Claims.—(1.) In a printer for a multiplex-printing telegraph system, a typewriter with key-levers combined with a key selecting and operating mechanism, the latter consisting of a group of differentially slotted bars or combs arranged side by side and having a certain amount of freedom of motion lengthways, the motion being controlled or compelled by five or more setting-magnets arranged in a row behind the combs, one magnet being allotted for each comb; a series of cross-bars and hook-levers working in conjunction with the keys of the typewriter; a battery of cams on a cam-spindle adapted to make a single revolution at any required moment by means of a single-revolution clutch, one cam operating a lifting-bar arranged to permit the combs to select one of the series of cross-bars with its corresponding key hook-lever, the second cam operating a universal striker-bar for depressing the selected hook-lever and the corresponding key of the typewriter, and a third cam-operating lever mechanism for restoring the combs to zero position.

[NOTE.—Here follow three other claims.]

(Specification, 15s.)

No. 27001.—6th December, 1909.—WILLIAM HENRY LAWRENCE, of 35 Melville Street, Pollokshields, Glasgow, Scotland, Engineer, and ROBERT KENNEDY, of 346 Pollokshaws Road, Glasgow, Scotland, Dairyman (nominees of C. B. Dalzell, of D. H. Burrell and Co., Little Falls, New York, United States of America). Improvements in vacuum pumps.

Claims.—(1.) In a pump, the combination of a casing provided with parallel upright cylinders, pistons in the cylinders, a crank-shaft journaled in the casing above the cylinders, the casing having a part which is detachable to permit the removal of the crank-shaft, removable inlet and outlet valves for the cylinders arranged in the base portion of the casing, operating-cams for said valves on the opposite ends of the crank-shaft, push-rods arranged at the opposite sides of said cylinders which are actuated by said cams and are detachably connected to said valves, and pipe-connections for the pump at the base thereof, substantially as set forth.

[NOTE.—Here follow three other claims.]

(Specification, 8s. 6d.)

No. 27046.—15th December, 1909.—WILLIAM HENRY LAWRENCE, of 35 Melville Street, Pollokshields, Glasgow, Scotland, Engineer, and ROBERT KENNEDY, of 346 Pollokshaws Road, Glasgow, Scotland, Dairyman (nominees of F. A. Lane, of D. H. Burrell and Co., Little Falls, New York State, United States of America). Improvements in milking-machines.

Claims.—(1.) A connector for milking-machines having a main suction passage and teat-cup connections, and having an air-supply passage opening into the cavity of the connector forwardly of said teat-cup connections, substantially as set forth. (2.) A connector for milking-machines, having a main suction passage and teat-cup connections, and having an air-supply passage extending from the rear end of the connector forwardly into the cavity of the same, substantially as set forth. (3.) A connector for milking-machines comprising a main suction passage and teat-cup connections, and having an internal noise-producing air-supply device, substantially as set forth. (4.) A connector for milking-machines comprising a main suction passage and teat-cup connections, and having internal means for producing an annular milk-current in the connector and admitting an air-current within said milk-current, substantially as set forth.

[NOTE.—Here follow five other claims.]

(Specification, 15s.)

No. 27052.—15th December, 1909.—THE SUBMARINE SIGNAL COMPANY, of Waterville, Maine, United States of America, a corporation duly organized under the laws of the State of Maine, and having a usual place of business in Boston, Massachusetts, United States of America, Manufacturers of Signalling-apparatus (assignees of Edward Clark Wood, of Somerville, Massachusetts aforesaid, Gentleman). Sounders for submarine signalling.

Claims.—(1.) A sounder characterized by a sound-producing vibrator, the vibrations of which are excited by one or more magnetic fields, which travel rapidly into and out of effective proximity to said vibrator so that it is alternately attracted and released with sufficient rapidity to, cause audible sounds.

[NOTE.—Here follow three other claims.]

(Specification, £1.)

No. 27072.—21st December, 1909.—MONO SERVICE VESSELS, LIMITED, of 40, 41, and 42 Percival Street, Goswell Road, in the County of London, England, Manufacturers (assignees of Elmer Zebley Taylor, of 40, 41, and 42 Percival Street aforesaid, Engineer). Improvements in machines for the manufacture of paper vessels applicable for use in the delivery of milk or cream to customers, and for other purposes.

Claims.—(1.) In a machine for the manufacture of paper receptacles, the employment of any suitable means for continuously rotating the pockets into which such receptacles are placed, and for causing such receptacles or pockets to themselves impart the rotary or other movements, when necessary, to the various mechanisms employed for carrying out the different operations when such mechanisms are being or have been advanced to their operative positions, substantially as specified.

[NOTE.—Here follow fourteen other claims.]

(Specification, 18s. 6d.)

No. 27075.—21st December, 1909.—THOMAS THOMASSEN SABROE, of No. 12 Colbjornsensgade, Copenhagen, Denmark, Merchant. Improvements in and connected with milking-cups.

Claims.—(1.) In a milking-cup having a rigid casing and an elastic teat-tube therein, suitably securing the upper end of the said teat-tube to the said casing and clamping its lower end to an outlet-pipe having a head and a clamping-nut, and a second clamping-member by which it is secured to the bottom of the said casing, substantially as and for the purpose set forth.

[NOTE.—Here follow two other claims.]

(Specification, 4s. 3d.)

No. 27076.—21st December, 1909.—CLAUDE ALBEMARLE BETTINGTON, of the Junior United Service Club, 11 and 12 Charles Street, St. James's, and of 14 Half-moon Street, Piccadilly, London, England, Lieutenant in the British Land Forces. Improvements relating to steam-generators.

Claims.—(1.) A water-tube steam-generator of the kind in which the steam and water drum is surrounded by a header with which the upper ends of the water-tubes communicate, characterized by the fact that either the said drum or the said header is provided with a manhole or the like, and that the wall between the drum and the header is constructed in such a manner that ready access can be had to the two chambers and the necessary attention given to the whole of the enclosed parts without necessitating the dismantling of the boiler, substantially as described.

[NOTE.—Here follow thirteen other claims.]

(Specification, 17s. 6d.)

No. 27077.—21st December, 1909.—CLAUDE ALBEMARLE BETTINGTON, of the Junior United Service Club, 11 and 12 Charles Street, St. James's, and of 14 Half-moon Street, Piccadilly, London, England, Lieutenant in the British Land Forces. Improvements in and relating to apparatus for pulverising coal and other materials.

Extract from Specification.—According to the present invention the pulverising-chamber is provided with an outlet for the mixture of pulverised material and air, which outlet is constructed so that it forms a curve in continuation of the internal circumferential surface of the chamber. The mixture of pulverised material and air is ejected from said outlet vertically upwards into a chamber provided with a suitable baffle or baffles which cause the mixture to be deflected in a downward direction whereby the larger particles of material fall to the bottom of said chamber, from which it is returned to the pulverising-chamber by suitable means. The material to be pulverised is delivered to the pulverising-chamber at the earliest point where the pulverising action of the beaters is capable of commencing, so that said action may take place over practically the whole of the effective internal periphery of the chamber.

[NOTE.—The above extract from the specification is inserted in place of the claims.]

(Specification, 9s.)

No. 27103.—30th December, 1909.—ERIC BROWN, of Bahnhofsweg, Baden, Switzerland, Engineer. Improvements in methods of working steam or gas turbine plants.

Claims.—(1.) A method of working steam or gas turbine installations for varying powers and speeds of revolution in which the steam or gas is caused to pass successively through all portions of the turbine for low powers and speed of revolution, while for higher powers a corresponding number of turbine portions are supplied simultaneously with live steam by means of separate additional nozzles, and the steam passing from the preceding stages is provided with a path to the following stage without having to pass through the stages that are supplied with live steam in such a manner that the stages supplied with live steam are connected in parallel, and at the same time provide a larger cross-section for the flow of steam whereby the greatest possible economical utilisation of the steam for every power and number of revolutions of the installation is effected without shutting off any portion of the turbine. (2.) A modification of the method according to claim 1, in which the several turbine portions are arranged on several shafts.

(Specification, 11s.)

No. 27104.—30th December, 1909.—ERIC BROWN, of Bahnhofsweg, Baden, Switzerland, Engineer. Improvements in marine turbine installations with two or more shafts.

Claim.—A marine turbine installation having two or more shafts in which one or more high-pressure-action turbines are each arranged on one special shaft, whilst one low-pressure-reaction turbine is arranged on each remaining shaft, substantially as and for the purposes described.

(Specification, 2s. 6d.)

No. 27110.—4th January, 1910.—KNUT IVAR LINDSTROM, of Nykvarn, Sweden, Proprietor. Device for changing the continuous movement of a pressure medium contained in a pipe conduit into an intermittent one.

Claims.—(1.) In such apparatus which change a constant current of a pressure or sucking medium in a pipe conduit into an intermittent one, and which consist of one or several pistons movable in a cylinder and a slide actuated by a spring, the arrangement that the shifting of the slide is indirectly effected by a sliding-piece 17 movably arranged on a rod 2 connected with the piston resp. pistons 3, which sliding-piece is directly actuated by said spring.

[NOTE.—Here follow two other claims.]

(Specification, 4s. 6d.)

No. 27112.—4th January, 1910.—THOMAS ANDREW LOW, of Renfrew, Ontario, Canada, Lumber-merchant (assignee of Gustav Theodor Soderstrom, of Renfrew aforesaid). Cream-separator.

Claims.—(1.) A cream-separator having a bowl, a plurality of parallel conoidal liner-plates spaced a short distance apart, and a central division member comprising a tubular upper portion extending through the top of the bowl, a lower portion extending upwardly from the bottom of the bowl, and a plurality of outwardly extending distributing-wings extending between the upper and lower portions, the space between the distributing-wings leading to the centre being left open and being of much greater width than the wings themselves, whereby access may be readily had to the interior of the distributing-member, the milk being supplied through the said upper tubular member and passing through the space between the wings, the wings themselves being imperforated. (2.) A cream-separator according to claim 1 in which the distributing-wings are spirally curved, whereby part of the separating is accomplished while the milk is passing over said wings.

(Specification, 3s. 6d.)

No. 27114.—5th January, 1910.—JAMES NEWTON COOK, of Victoria Street, Paddington, Sydney, New South Wales, Australia, Baker. A combination pipe-attachment.

Extract from Specification.—The pipe parts comprise a pipe bowl and its pierced stem, a tube having a block flange which seats itself against the stem end, one part of the tube fitting into the stem end and the other part extending outwardly from the flange towards the mouthpiece, a fixed ring or collar fixed on the stem and shaped to receive the mouthpiece and having a locking-pin and a saliva-outlet, and a combined mouthpiece, cigar and cigarette holder, adapted to be secured in the collar, and having saliva-outlets.

[NOTE.—The above extract from the specification is inserted in place of the claims.]

(Specification, 5s.)

No. 27116.—4th January, 1910.—JOHN LAFFEY, Mine-manager, Cromwell, Otago, New Zealand, and DAVID LAWRIE HUTTON, of Dunedin, New Zealand, Printer. Improved water-main motor.

Claims.—(1.) In pipe-lines containing running water under a sufficient pressure, in connection with them a motor (preferably of the undershot type of wheel) placed within the casing of a special pipe, and arranged to be lowered into or raised from the stream of water flowing within the pipe-line, thus giving the said motor more or less power or stopping it as desired, all substantially as set forth and as illustrated in the drawing. (2.) In combination with a pipe-line containing swiftly flowing water under pressure, a water undershot

wheel that can be lowered into or raised out of the said current, with the belting to the machinery to be driven or to the countershaft so arranged that it tightens as the wheel is lowered and slackens as the said wheel is raised, all substantially as set forth.

(Specification, 2s. 3d.)

No. 27144.—19th March, 1909.—HERBERT SEWILL, late of 4 and 6 Cophall Avenue, but now of 42 Poultry, London, England, Stockbroker. Improvements in the means for suspending bird-cages, flower-pots, and the like.

[NOTE.—This is an application under the International and Inter-colonial Arrangements, the date given being the official date of the application in Great Britain.]

Claim.—A device for suspending bird-cages, flower-pots, and the like comprising a bracket whose base is kept in contact with a window, wall, or like surface by the weight of an article suspended at the outer end of the bracket arm, a wire or like stay from the bracket arm being adapted to be attached to a projection on the window, wall, or the like.

(Specification, 2s. 6d.)

No. 27146.—12th January, 1910.—WILLIAM JAMES CLIFFORD, of 81 St. Patrick Street, Toronto, Ontario, Canada, Cabinetmaker. Improvements in rifle-sights.

Extract from Specification.—My object is to devise a rifle-sight in which the finest possible adjustment for elevation may be obtained without the use of a separate vernier or the use of a screw, and in which the style of the sight-bar may be changed without affecting the adjustment for elevation. I attain my object by carrying the sight-bar on a slide vertically movable by a pinion and a rack adjusting-device on the leaf of the sight. The sight bar is laterally movable on the slide by a screw to allow for wind, and is arranged to give separate sights for long and short ranges. The sight-bar is preferably provided with sighting-notches, and the change to a bar or peep sight is effected by means of a sliding plate provided with a peep-hole and having its upper edge adapted to be used as a bar-sight. As in skirmishing it is usual to adjust the sight for elevation fifty yards at a time, I also provide the sight with a removable click device which indicates to the sense of feeling a stepwise change in elevation.

[NOTE.—The above extract from the specification is inserted in place of the claims.]

(Specification, 7s.)

No. 27147.—13th January, 1910.—ALWIN FISCHER, of North Adelaide, South Australia, Plumber. Improvements in washing-machines.

Claims.—(1.) In washing-machines, a stand consisting of a base and two uprights, which latter in addition to supporting the washing-machine are of sufficient height to have attached thereto a board for the purpose of carrying a wringer above the drum of a revolving washing-machine. (2.) In washing-machines consisting of a revolving drum with an opening thereto, and having a wringer fixed above the washing-machine, a funnel which received the water from the clothes passed through the wringer for the purpose of conducting such water back into the drum. (3.) In washing-machines, a stand consisting of a base with two uprights in which on proper bearings and spindles revolves a drum provided internally with ledges which divide the inner space into smaller spaces, together with a wringer-board fastened to the stand and above the revolving drum, and also provided with a funnel which receives the water from the wringer and conducts such water back into the drum, all substantially as described and shown, and together forming a combination of parts.

(Specification, 3s.)

No. 27148.—13th January, 1910.—HEDLEY FRANK DAY of Murray Street, Gawler, South Australia, Shop Salesman. An improved water wheel or motor.

Claims.—(1.) In water wheels or motors driven by water, a series of cups (either conical, wedge-shaped, or pyramidal) fixed to the outer circumference of the wheel in such a manner that the smaller end of each enters into the space of the adjoining one, and such cups being in close proximity to

each other and presenting their face square to the jet of water thrown on the same. (2.) In water wheels and motors driven by water, a nozzle for the water capable of being adjusted so as to be quite close to the cups on the wheel and discharging square with the radius of the wheel.

[NOTE.—Here follow two other claims.]

(Specification, 3s.)

Copies of drawings may be obtained at the uniform price of 1s. each. In exceptional cases this price may be increased at the discretion of the Office.

An asterisk (*) denotes the complete specification of an invention for which a provisional specification has been already lodged.

NOTE.—The cost of copying the specification has been inserted after the notice of each application. An order for a copy or copies should be accompanied by a post-office order or postal note for the cost of copying.

The date of acceptance of each application is given after the number.

Extracts from the drawings accompanying the foregoing complete specifications appear at the end of this Gazette.

J. C. LEWIS,
Registrar.

Provisional Specifications accepted.

Patent Office,
Wellington, 9th February, 1910.

APPLICATIONS for Letters Patent, with provisional specifications, have been accepted as under:—

- No. 25518.—A. R. Craddock, flooring-crank.
- No. 27016.—J. A. Taylor, householders' indicator for tradesmen.
- No. 27088.—F. H. Andrews, propeller.
- No. 27092.—F. C. Ottaway, life-buoy and boat.
- No. 27093.—W. Cameron, card-table top. (E. A. Leslie and J. Donald.)
- No. 27115.—E. A. G. Hamlin, ice-chest.
- No. 27125.—W. Cutten, dredge-bucket.
- No. 27126.—J. Strassmeyer, betting-board.
- No. 27128.—A. Clegg, W. Rainbow, and F. Clark, advertisement-displayer.
- No. 27129.—H. Fannin, motor-car wheel.
- No. 27140.—P. N. M. MacDonald, sealing envelopes.
- No. 27143.—H. J. G. Adamson, pot, &c., lid.
- No. 27159.—L. Tubman, supporting-frame for shooting-decoys.
- No. 27160.—G. H. Winders, bat-fastener.
- No. 27161.—F. Doherty and W. J. Robbins, pneumatic tire.
- No. 27162.—R. F. Moore, concrete structure.
- No. 27163.—A. I. Jones, flax-dressing machine.
- No. 27166.—L. G. Grace, pump and siphon.
- No. 27169.—E. C. Bank, earth-scoop.
- No. 27172.—R. McNaughton, axle-cap.
- No. 27173.—O. Peez and K. Joosten, refrigerator.
- No. 27175.—Chipman, Limited, nut-lock. (Grip-nut Company—D. O. Ward.)
- No. 27176.—J. W. Dick and A. Leitch, attaching tickets to bicycles.
- No. 27177.—J. O. Suckling, A. H. Herbert, and E. Page, water-closet flush.
- No. 27178.—G. Broom, bed-rest.
- No. 27185.—J. Stanford, roofing-tile.
- No. 27186.—H. M. Clark, ice-chest.
- No. 27187.—R. J. Hobbs, mixing, &c., manures.
- No. 27190.—D. Brigham, preventing hames slipping.
- No. 27191.—A. Budd, hat-ventilator.
- No. 27192.—W. Lewis, acetylene generator.
- No. 27197.—W. F. Lietz, dry closet.
- No. 27199.—A. H. Wright, stamping, &c., machine.
- No. 27200.—J. Blair-Mason, J. Loudon, and G. A. Lee, sliding door.
- No. 27202.—E. B. Gardner, building-block, &c.
- No. 27204.—L. J. Barnes and W. Starkey, flying machine.
- No. 27211.—T. Senior, milk-bucket.
- No. 27213.—R. W. de Montalk, concrete and ferro-concrete construction.

[NOTE.—Provisional specifications cannot be inspected, or their contents made known by this office in any way, until the complete specifications in connection therewith have been accepted.]

Letters Patent sealed.

LIST of Letters Patent sealed from the 17th January to the 28th January, 1910, inclusive:—

- No. 25013.—J. F. Bailey, electric developer.
- No. 25031.—W. J. Love and F. W. Skelsey, cement-manufacture.
- No. 25033.—A. Jarrett, kerosene-pump.
- No. 25041.—J. S. McPherson, broom, &c., bracket.
- No. 25086.—F. C. Brown, tool-heating apparatus.
- No. 25093.—J. C. Oliver, colander.
- No. 25184.—C. E. Hodge and S. P. Andersen, teat cup.
- No. 25321.—B. H. Nees, metal coupling for wooden frame.
- No. 25395.—W. Seifert, flax, &c., treatment.
- No. 26018.—J. H. Amies, paving and flooring composition.
- No. 26118.—A. B. Taylor, feed-trough.
- No. 26291.—H. W. Davies, acetylene generator.
- No. 26346.—W. W. Cabena, rubber-manufacture. (W. Stocks.)
- No. 26591.—A. Yancey, shucking crustacea.
- No. 26606.—A. G. Jackson, turret clock.
- No. 26658.—W. J. Jupp, billiard-dining-table adjuster.
- No. 26677.—A. T. Thompson and I. Goodwin, picture-hanger.
- No. 26698.—J. L. Hills, locomotive ash-pan.
- No. 26742.—M. W. Hazen, typewriter.

Letters Patent on which Fees have been paid.

[NOTE.—The dates are those of the payments.]

SECOND-TERM FEES.

- No. 20260.—D. Robertson, post-marking machine. 1st February.
- No. 20266.—J. McCarthy, easy and folding chair. 27th January.
- No. 20616.—T. Driffield, chimney-top. 24th January.
- No. 20620.—H. J. Marks, window, &c., hanging. 21st January.
- No. 20621.—H. J. Marks, chimney top and ventilator. 21st January.
- No. 20638.—H. L. Friend, building in concrete. (H. A. Goddard.) 20th January.
- No. 20669.—T. H. B. Gayner, sealing punctures in pneumatic tires. 25th January.
- No. 20708.—W. H. Jordan, cooking-range and water-heater. 4th February.
- No. 20768.—A. E. Halkier, dress-cutting chart. 1st February.
- No. 20787.—Massey-Harris Company, Limited, mower. (L. M. Jones and A. W. Watts.) 24th January.
- No. 20817.—C. Butters, vacuum filtering-apparatus. 3rd February.
- No. 20880.—Marconi's Wireless Telegraph Company, Limited, wireless telegraphy. (G. Marconi.) 26th January.

THIRD-TERM FEES.

- No. 15895.—A. Hosking, tellurian and selenotrope. 20th January.

Subsequent Proprietors of Letters Patent registered.

[NOTE.—The name of the former proprietor is given in brackets; the date is that of registration.]

- No. 15134.—Consol Automatic Aerators, Limited, having its registered office at 22, 24, and 26 Paul Street, Finsbury, London, England, aeration and bottling of liquids. (British Automatic Aerators, Limited—Automatic Aerator Patents, Limited—F. G. Hampson.) 1st February, 1910.
- No. 21897.—The Ridd Milking-machine Company, Limited, of Queen Street, New Plymouth, New Zealand, milking-machine. (A. Ridd.) 25th January, 1910.
- No. 23505.—Joseph Seep, of 206 Seneca Street, Oil City, County of Venango, State of Pennsylvania, United States of America, Capitalist, ore-roasting process, registered as proprietor of an undivided part or share. (A. R. Wilfley.) 4th February, 1910.
- No. 24024.—Consol Automatic Aerators, Limited, having its registered office at 22, 24, and 26 Paul Street, Finsbury, London, England, aerating-machine. (British Automatic Aerators, Limited—H. Pearce.) 1st February, 1910.
- No. 24302.—The Grondal Kjellin Company, Limited, of 20 Abchurch Lane, London E.C., England. Magnetic separation of ore. (G. E. Ohrn.) 31st January, 1910.
- No. 52976.—Linotype and Machinery Limited, of 188 and 189 Fleet Street, London, England, linotype. (J. T. Hunter—Linotype and Machinery, Limited—H. Pearce and J. E. Billington.) 23th January, 1910.

No. 26165.—Samuel Parker, of Auckland, New Zealand, merchant, tilting-appliance for emptying kerosene-cans, &c. (P. T. White and G. Robertson.) 31st January, 1910.

No. 26191.—Linotype and Machinery, Limited, of 188 and 189 Fleet Street, London, England, typographical composing and casting machine. (J. T. Hunter—Linotype and Machinery, Limited—H. Pearce and J. E. Billington.) 31st January, 1910.

No. 26436.—The Westinghouse Brake Company, Limited, having its registered office at 82 York Road, King's Cross, London, England, railway-brake apparatus. (J. W. Clond.) 28th January, 1910.

Request for Amendment of Specification allowed.

THE request to amend specification No. 25884—A. R. Angus, preventing railway collisions (advertised in Supplement to *New Zealand Gazette*, No. 93, of the 4th November, 1909)—has been allowed.

Applications for Letters Patent withdrawn.

THE following applications for Letters Patent have been withdrawn:—

Nos. 25900 and 25901, P. D. H. Ohlhaber, milking-machine. (Advertised in Supplement to *New Zealand Gazette*, No. 63, of the 29th July, 1909.)

Applications for Letters Patent abandoned.

LIST of applications, with which provisional specifications only have been filed, abandoned (*i.e.*, complete specifications not lodged) from the 22nd January to the 4th February, 1910, inclusive:—

- No. 25716.—J. E. Watts, pneumatic heel-cushion.
- No. 25718.—D. McCallum, tool-sharpener.
- No. 25720.—W. H. Boyens and T. Gore, securing wires to insulators.
- No. 25726.—P. R. Williamson, lathe tool.
- No. 25730.—F. T. Wyatt, tire-protector.
- No. 25734.—D. Brigham, horse-collar.
- No. 25735.—H. F. Blowes, machine-chock.
- No. 25736.—A. M. Martin, spouting-bracket.
- No. 25737.—W. Jenkins and G. Jones, gold-shaking table.
- No. 25738.—J. J. Packer, milking-machine.
- No. 25739.—F. Ottaway, life-saving boat.
- No. 25742.—T. J. Orr, issuing trade coupons.
- No. 25750.—A. H. J. Parker, window.
- No. 25754.—A. G. Codey, wire-strainer.
- No. 25756.—W. E. Garey, electric switch.
- No. 25757.—T. F. Brown, chair.
- No. 25758.—J. H. Adams, valveless engine.
- No. 25768.—L. F. Watkins, washing-tub attachment.
- No. 25769.—A. H. Wright, advertising-display means.
- No. 25770.—A. Storrie and A. Storrie, Limited, rotary single seeder.
- No. 25773.—J. R. Howard, motor-vehicle speed-gear.
- No. 25774.—A. K. W. Rissel, temperature indicator, recorder, and alarm.
- No. 25775.—T. C. Hement, ventilating-cowl.
- No. 25778.—W. Hay, flax-dressing.
- No. 25779.—W. Hoyland, shop-front.

Applications for Letters Patent void.

APPLICATIONS for Letters Patent, with which complete specifications have been lodged, void owing to non-acceptance of such complete specifications, from the 22nd January to the 4th February, 1910, inclusive:—

- No. 25119.—P. H. Le Cornu, combination bedroom furniture.
- No. 25158.—A. James, R. W. Smith, and H. W. Stokes, window-sash balance.
- No. 25163.—A. Davies, water-closet seat.

Applications for Letters Patent lapsed.

APPLICATIONS for Letters Patent lapsed, owing to Letters Patent not being sealed, from the 22nd January to the 4th February, 1910, inclusive:—

- No. 23921.—W. Ward and A. L. J. Taskers, cistern-flush.
- No. 24579.—J. Shepherd and A. Cederman, locomotive driving-gear.
- No. 24715.—J. Strassmeyer, school-desk.
- No. 24727.—J. M. Taylor and H. Oakley, flushing-cistern attachment.
- No. 24751.—A. V. Coldwell, coiling and uncoiling fencing-wire.

Letters Patent void.

LIST of Letters Patent void through non-payment of renewal fees, and through expiry of term of fourteen years, from the 22nd January to the 4th February, 1910, inclusive:—

THROUGH NON-PAYMENT OF SECOND-TERM FEES.

- No. 20215.—C. E. Hayward, jun., and W. E. Hunter, leg-rope, &c.
- No. 20217.—American Seeding-machine Company, seeding-machine distributor. (F. G. Colley and E. Baseman.)
- No. 20218.—R. L. Morrell, carburetter.
- No. 20219.—J. C. Fraser, steam-turbine.
- No. 20222.—J. S. Gribbon and J. McKean, sash-support.
- No. 20223.—A. Houseman, bottle.
- No. 20226.—W. Brady and B. T. Chaytor, axle.
- No. 20228.—J. F. McNeill, go-cart.
- No. 20234.—T. Hurd, draught-preventer.
- No. 20236.—B. L. Donne, tent. (T. D. McCall.)
- No. 20246.—H. J. Wallis, submarine boat.
- No. 20247.—G. Cradock, rope or cable grip.
- No. 20248.—G. C. de Witt, ore-treatment.
- No. 20249.—A. R. Donisthorpe, crimping or waving fibrous substances.
- No. 20252.—H. A. Cutmore, telephone, &c., transmitter.
- No. 20254.—T. W. Fowler, fire-plug.
- No. 20259.—R. Stevens, milk-cooler.
- No. 20261.—F. Rich and G. T. Walbran, tire-inflation valve.
- No. 20262.—G. W. J. White, exhaust-steam superheater.
- No. 20263.—E. G. A. Brattstrom, petroleum, &c., lamp. (Aktiebolaget Lux—S. Carlson.)
- No. 20268.—W. H. Nosworthy and S. J. Prescott, bottle and stopper.
- No. 20272.—L. Atkinson, operating train and railway switch.
- No. 20278.—W. J. J. Griffiths, securing animal-covers.

THROUGH NON-PAYMENT OF THIRD-TERM FEES.

- No. 15569.—J. Cowan, water-tube boiler.
- No. 15572.—Metallic Compounds Separation, Limited, depositing fumes from ores. (W. W. Fyfe.)
- No. 15593.—G. W. Wright and W. Davidson, ore-concentrator.

THROUGH EXPIRY OF TERM.

- No. 8209.—The Mond Nickel Company, Limited, ore-treatment. (L. Mond.)
- No. 8215.—Moore Electrical Company, phosphorescent electric illumination. (D. M. Moore.)
- No. 8224.—United Alkali Company, Limited, cyanide-manufacture. (J. Raschen.)

Applications for Trade Marks filed.

LIST of applications for registration of Trade Marks filed from the 22nd January to the 4th February, 1910, inclusive:—

- Nos. 8510, 8511, and 8512.—25th January.—Eagle Pencil Company, New York, U.S.A. Classes 8, 12, and 39.
- No. 8513.—25th January.—Triumph Cycle Company, Limited, Coventry, England. Class 22.
- No. 8514.—25th January.—R. I. Clark and Co. (Australia), Limited, Sydney, N.S.W. Class 1.
- No. 8515.—26th January.—Roberts (New Zealand), Limited, Wellington, N.Z. Class 34.
- Nos. 8516 and 8517.—26th January.—Fassett and Johnson, London, England. Class 3.
- Nos. 8518 and 8519.—26th January.—J. Travers and Sons, Limited, London, Eng. Class 42.
- No. 8520.—26th January.—The Marmite Food Extract Company, Limited, London, Eng. Class 42.
- No. 8521.—26th January.—Usine de Désargentation Société Anonyme Hoboken-lez-Anvers, Belgium. Class 2.
- Nos. 8522 and 8523.—27th January.—J. O. Shorland, Wellington, N.Z. Classes 22 and 40.
- No. 8524.—27th January.—Irvine and Stevenson's St. George Company, Limited, Dunedin, N.Z. Class 42.
- No. 8525.—28th January.—E. W. Pidgeon and Co., Limited, Christchurch and elsewhere, N.Z. Class 22.
- No. 8526.—28th January.—F. H. Cotton, Christchurch, N.Z. Class 50.
- Nos. 8527 and 8528.—1st February.—Crockett and Jones, Northampton, Eng. Class 50.
- No. 8529.—1st February.—P. and S. Evans and Co., Limited, Bristol, Eng. Class 37.
- No. 8530.—1st February.—E. Moore and Co., Heatley in Lynn, England. Class 42.
- No. 8531.—1st February.—R. I. Clark and Co. (Australia), Limited, Sydney, N.S.W. Class 1.
- No. 8532.—2nd February.—H. W. Davies and Co., Wellington, N.Z. Class 18.
- Nos. 8533, 8534, and 8535.—3rd February.—Field and Co., Fruit-merchants, Limited, London, Eng. Class 42.
- No. 8536.—3rd February.—T. W. Whittle, Christchurch, N.Z. Class 50.
- No. 8537.—3rd February.—C. A. Woolsey Paint and Colour Company, Jersey, U.S.A. Class 1.
- No. 8538.—3rd February.—Virol Company, London Eng. Class 3.

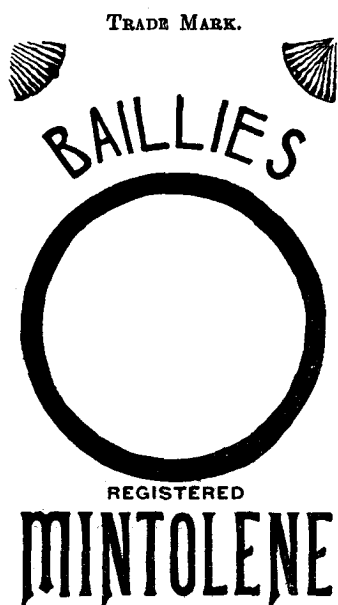
Applications for Registration of Trade Marks.

Patent Office,
Wellington, 9th February, 1910.

A PPLICATIONS for registration of the following Trade Marks have been received. Notice of opposition to the registration of any of these applications may be lodged at this office within two months of the date of this *Gazette*. Such notice must be in duplicate, and accompanied by a fee of £1.

No. of application: 7968.

Date: 28th April, 1909.



No. of application: 8419.

Date: 26th November, 1909.

TRADE MARK.



The essential particulars of this trade mark are as follow—the combination of devices and the word “Lissue”; and any right to the exclusive use of the added matter is disclaimed.

NAME.

TOTAL BROADHURST LEE COMPANY, LIMITED, of 56 Oxford Street, Manchester, England, Merchants and Manufacturers.

No. of class: 25.

Description of goods: Cotton handkerchiefs.

The essential particulars of this trade mark are the distinctive label and the word “Mintolene”; and applicant disclaims any right to the exclusive use of the added matter, except in so far as it consists of his name.

NAME.

JAMES BAILLIE, of Carterton, in the Dominion of New Zealand, Chemist.

No. of class: 3.

Description of goods: A cough mixture.

No. of application: 8202.

Date: 19th August, 1909.

TRADE MARK.

The word

EXCELON.

NAME.

WEINGARTEN BROS., INCORPORATED, a corporation organized under the laws of the State of New Jersey, one of the United States of America, and having its office at 377 Broadway, New York City, United States of America.

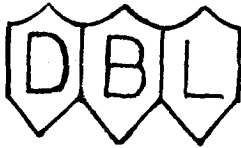
No. of class: 50.

Description of goods: A composition of matter resembling whalebone.

No. of application : 8489.

Date : 13th January, 1910.

TRADE MARK.



The applicants claim that the said trade mark has been used by them in respect of the articles mentioned before the 2nd day of September, 1889.

NAME.

DELACOUR BROS., LIMITED, of 107 Salusbury Road, West Kilburn, London, England, Pipe-manufacturers.

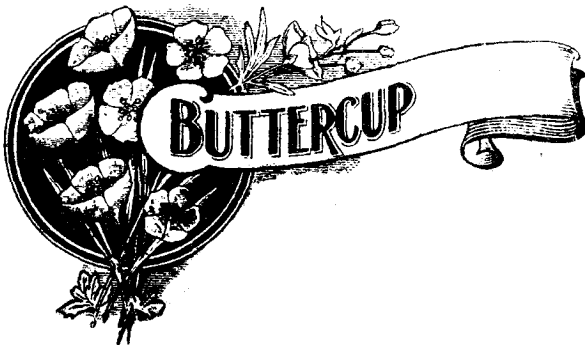
No. of class : 50 (subclass 4).

Description of goods : Tobacco-pipes, cigar and cigarette holders (not of precious metal or of imitation precious metal).

No. of application : 8501.

Date : 18th January, 1910.

TRADE MARK.



NAME.

THE TAHERI AND PENINSULA MILK-SUPPLY COMPANY, LIMITED, of 7 Great King Street, Dunedin, in the Dominion of New Zealand.

No. of class : 42.

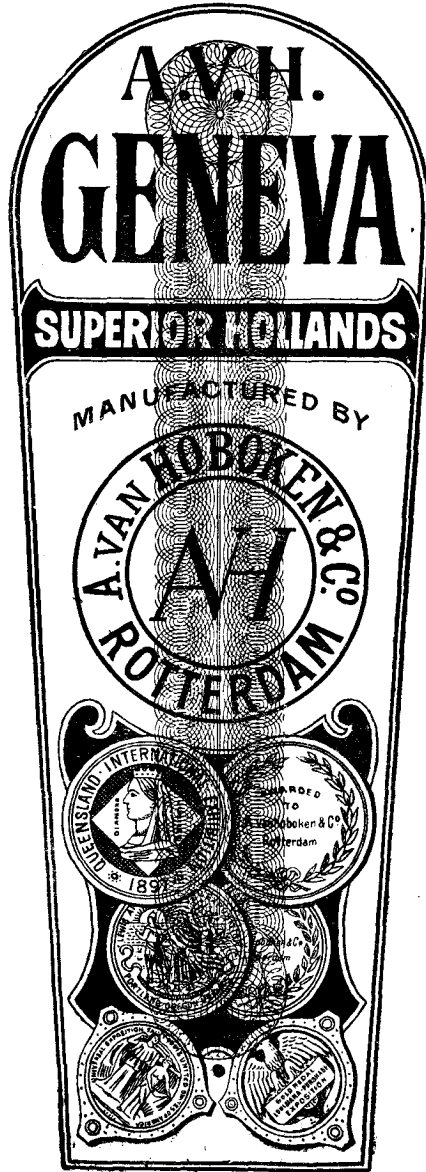
Description of goods : Butter and all other dairy-produce, except preserved milk or goods of the same description as preserved milk.

B

No. of application : 8502.

Date : 18th January, 1910.

TRADE MARK



The essential particulars of this trade mark are the distinctive label and the monogram; and any right to the exclusive use of the added matter, except the name, is disclaimed.

NAME.

A. VAN HOBOKEN AND Co., 102 Wynhaven, Rotterdam, Holland, Merchants.

No. of class : 43.

Description of goods Gin.

No. of application : 8503.

Date : 18th January, 1910.

TRADE MARK.

The word

THURSTON

NAME.

MAX HILBERT, of Paul Strasse 10, Hamburg, Germany.

No. of class: 44.

Description of goods: Mineral and aerated waters, natural and artificial, including gingerbeer.

No. of application: 8505.

Date: 18th January, 1910.

TRADE MARK.

The word

CONQUEROR.

NAME.

P. HAYMAN AND Co., of Victoria Street, Wellington, in the Dominion of New Zealand, Merchants.

No. of class: 9.

Description of goods: Musical instruments.

No. of application: 8506.

Date: 19th January, 1910.

TRADE MARK.

The word

BLOTROOL.

NAME.

JAMES BERGER, of 7 Arney Street, Newtown, Wellington, in the Dominion of New Zealand.

No. of class: 39.

Description of goods: Office rulers.

No. of application: 8510.

Date: 25th January, 1910.

TRADE MARK.



NAME.

EAGLE PENCIL COMPANY, a corporation organized under the laws of the State of New York, of 377 Broadway, New York City, New York, United States of America.

No. of class: 8.

Description of goods: Compasses and dividers.

No. of application: 8511.

Date: 25th January, 1910.

TRADE MARK.

(The mark as shown in preceding notice No. 8510.)

NAME.

EAGLE PENCIL COMPANY, a corporation organized under the laws of the State of New York, of 377 Broadway, New York City, New York, United States of America.

No. of class: 12.

Description of goods: Automatic pen-knives.

No. of application: 8512.

Date: 25th January, 1910.

TRADE MARK.

(The mark as shown in preceding notice No. 8510.)

NAME.

EAGLE PENCIL COMPANY, a corporation organized under the laws of the State of New York, of 377 Broadway, New York City, New York, United States of America.

No. of class: 39.

Description of goods: Pencil-point protectors, lumber-leads, crayons, stylographic pens, pencil-sharpener, pen-holders, fountain pens, metallic pens, and rubber erasers.

No. of application: 8514.

Date: 25th January, 1910.

TRADE MARK.

The word

ARCLIGHT.

NAME.

ROBT. INGHAM CLARK AND Co. (AUSTRALASIA), LIMITED, of 38 Market Street, Sydney, State of New South Wales, Commonwealth of Australia, Paint and Varnish Manufacturers.

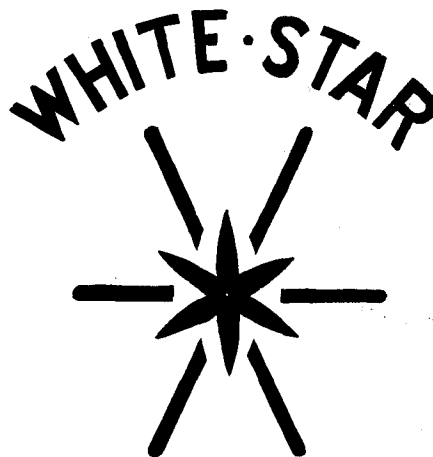
No. of class: 1.

Description of goods: Paints, varnishes, japans, driers, enamels, and varnish stains.

No. of application: 8515.

Date: 26th January, 1910.

TRADE MARK.



NAME.

ROBERTS (NEW ZEALAND) LIMITED, of 80 Jervois Quay, Wellington, in the Dominion of New Zealand, Ware-housemen.

No. of class: 34.

Description of goods: All goods included in this class.

[NOTE.—Class 34 is for "Cloth and stuffs of wool, worsted, or hair."]]

No. of application: 8517.
Date: 26th January, 1910.

TRADE MARK.

The word

OLYMPIC.

NAME.

FASSETT AND JOHNSON, of 86 Clerkenwell Road, London E.C., England, Merchants.

No. of class: 3.
Description of goods: Chemical substances prepared for use in medicine and pharmacy.

No. of application: 8520.
Date: 26th January, 1910.

TRADE MARK.



NAME.

THE MARMITE FOOD EXTRACT COMPANY, LIMITED, of 59 Eastcheap, London E.C., England, Manufacturers.

No. of class: 42.
Description of goods: A concentrated preparation, being an extract of yeast, for human food.

No. of application: 8522.
Date: 27th January, 1910.

TRADE MARK.

The word

SCOUT.

NAME.

JOHN OLIVE SHORLAND, trading as "J. O. Shorland & Co.," of Cuba Street, Wellington, in the Dominion of New Zealand.

No. of class: 22.
Description of goods: Bicycles and motor-bicycles.

No. of application: 8523.
Date: 27th January, 1910.

TRADE MARK.

The word

SCOUT.

NAME.

JOHN OLIVE SHORLAND, trading as "J. O. Shorland & Co.," of Cuba Street, Wellington, in the Dominion of New Zealand.

No. of class: 40.
Description of goods: Bicycle and other tires, and tubes manufactured from rubber.

No. of application: 8525.
Date: 28th January, 1909.

TRADE MARK.

The word

REFEREE.

NAME.

E. W. PIDGEON AND Co., LIMITED, of Christchurch and elsewhere, in the Dominion of New Zealand.

No. of class: 22.
Description of goods: Bicycles.

No. of application: 8526.
Date: 28th January, 1910.

TRADE MARK.

The word

ZULU.

NAME.

FREDERICK HENRY COTTON, of Christchurch, in the Dominion of New Zealand.

No. of class: 50.
Description of goods: Boot-polish.

No. of application: 8533.
Date: 3rd February, 1910.

TRADE MARK.

The word

ANSORA.

NAME.

FIELD AND Co., FRUIT-MERCHANTS, LIMITED, of 10 Monument Street, London E.C., England.

No. of class: 42.
Description of goods: All substances used as food or as ingredients in food.

No. of application: 8534.
Date: 3rd February, 1910.

TRADE MARK.

The word

GALLEON.

NAME.

FIELD AND Co., FRUIT-MERCHANTS, LIMITED, of 10 Monument Street, London E.C., England.

No. of class: 42.
Description of goods: All substances used as food or as ingredients in food.

No. of application: 8535.
Date: 3rd February, 1910.

TRADE MARK.

The word

KEDGE.

NAME.

FIELD AND Co., FRUIT-MERCHANTS, LIMITED, of 10 Monument Street, London E.C., England.

No. of class: 42.

Description of goods: All substances used as food or as ingredients in food.

No. of application: 8538.

Date: 3rd February, 1910.

TRADE MARK.

VIROL

NAME.

VIROL, LIMITED, of 152-166 Old Street, in the City of London, England, Manufacturers.

No. of class: 3.

Description of goods: Chemical substances prepared for use in medicine or pharmacy included in this class.

J. C. LEWIS,
Registrar.

Applications for Trade Marks abandoned or refused.

LIST of applications for registration of Trade Marks abandoned or refused from the 21st January to the 4th February, 1910, inclusive:—

No. 7572.—22nd September, 1908.—Wood-Milne, Limited, of Preston, Eng. Class 40.

No. 7576.—23rd September, 1908.—I. Rutter and Co., of Mitcham, Eng. Class 45.

No. 7663.—10th November, 1908.—Goodfellows, Limited, of Hamilton, N.Z. Class 42.

No. 7711.—2nd December, 1908.—H. Berry and Co., of Christchurch, N.Z. Class 42.

No. 7776.—12th January, 1909.—R. Fewell, of Auckland, N.Z. Class 44.

No. 7777.—12th January, 1909.—T. O'Halloran, of Ellerslie, N.Z. Class 2.

Nos. 7784 and 7785.—13th January, 1909.—Pearson's Antiseptic Company, Limited, London, Eng. Classes 2 and 3.

Request for Correction of Clerical Error in Application for Trade Mark.

NO. 8493.—Chemische Fabrik, Dr. R. Scheuble und Dr. A. Hochsterr (advertised in Supplement to *New Zealand Gazette*, No. 8, of the 27th January, 1910):—

To alter the name "Hochsterr" to "Hochstetter."

Request for Amendment of Trade Mark Application.

NO. 8342.—D. G. Brown (advertised in Supplement to *New Zealand Gazette*, No. 106, of the 16th December, 1909):—

To amend the statement of goods by striking out "motor-cycles" and confining such goods to "bicycles."

Trade Marks registered.

LIST of Trade Marks registered from the 22nd January to the 4th February, 1910, inclusive:—

No. 6606/8062.—A. Cowan and Sons, Limited. Class 39. (*Gazette* No. 96, of the 18th November, 1909.)

Nos. 6607/8266, 6608/8267, 6609/8268, and 6610/8269.—F. Krupp, Aktiengesellschaft, Grusonwerk. Classes 5, 6, 7, and 13. (*Gazette* No. 93, of the 4th November, 1909.)

No. 6611/8285.—A. A. Maxwell. Class 3. (*Gazette* No. 88, of the 21st October, 1909.)

No. 6612/8300.—Skelton, Frostick, and Co., Limited. Class 38. (*Gazette* No. 88, of the 21st October, 1909.)

No. 6613/8308.—Compagnie Générale de Phonographes, Cinématographes et Appareils de Precision. Class 8. (*Gazette* No. 93, of the 4th November, 1909.)

No. 6614/8313.—Greig Bros. and Dudfield. Class 38. (*Gazette* No. 88, of the 21st October, 1909.)

No. 6615/8316.—R. and E. Tingey and Co., Limited. Class 1. (*Gazette* No. 93, of the 4th November, 1909.)

No. 6616/8327.—F. Longdon and Co., Limited. Class 11. (*Gazette* No. 93, of the 4th November, 1909.)

Nos. 6617/8328, 6618/8329, 6619/8330, and 6620/8331.—Blacklock and Macarthur. Classes 1, 4, 47, and 50. (*Gazette* No. 93, of the 4th November, 1909.)

No. 6621/8332.—Finlayson, Bousfield, and Co., Limited. Class 26. (*Gazette* No. 93, of the 4th November, 1909.)

Nos. 6622/8333, 6623/8334, and 6624/8335.—W. Barbour and Sons, Limited. Classes 26, 49, and 50. (*Gazette* No. 93, of the 4th November, 1909.)

No. 6625/8345.—S. S. Ireland. Class 50. (*Gazette* No. 93, of the 4th November, 1909.)

Nos. 6626/8346, 6627/8347, and 6628/8348.—The Stanley Works. Class 13. (*Gazette* No. 93, of the 4th November, 1909.)

No. 6629/8249.—W. Plowman and Son. Class 3. (*Gazette* No. 93, of the 4th November, 1909.)

No. 6630/7794.—W. H. Hazard. Class 8. (*Gazette* No. 7, of the 28th January, 1909.)

Nos. 6631/8180, 6632/8181, 6633/8182, and 6634/8183.—H. and G. Klotz and Cie. Class 48. (*Gazette* No. 71, of the 26th August, 1909.)

No. 6635/8362.—J. Dearden and Co., Limited. Class 24. (*Gazette* No. 96, of the 18th November, 1909.)

Nos. 6636/8359 and 6637/8360.—The Dextine Patent Packing and Rubber Company, Limited. Classes 40 and 50. (*Gazette* No. 96, of the 18th November, 1909.)

No. 6638/8364.—A. Oppenheimer and Co. Class 50. (*Gazette* No. 96, of the 18th November, 1909.)

No. 6639/8373.—F. Levic. Class 45. (*Gazette* No. 96, of the 18th November, 1909.)

No. 6640/8339.—The Gramophone Company, Limited. Class 8. (*Gazette* No. 93, of the 4th November, 1909.)

No. 6641/8291.—Vacuum Oil Company Proprietary, Limited. Class 47. (*Gazette* No. 88, of the 21st October, 1909.)

No. 6642/8254.—A. Hyde. Class 43. (*Gazette* No. 101, of the 2nd December, 1909.)

No. 6643/8280.—W. Reece. Class 17. (*Gazette* No. 96, of the 18th November, 1909.)

Nos. 6644/8336, 6645/8337, and 6646/8338.—W. Barbour and Sons, Limited. Classes 26, 49, and 50. (*Gazette* No. 96, of the 18th November, 1909.)

No. 6647/8198.—Hargreaves Bros. and Co., Limited. Class 47. (*Gazette* No. 75, of the 9th September, 1909.)

No. 6648/8301.—R. W. Millar and H. B. Wade. Class 7. (*Gazette* No. 93, of the 4th November, 1909.)

Subsequent Proprietors of Trade Marks registered.

[NOTE.—The name of the former proprietor is given in brackets; the date is that of registration.]

NO. 797/623.—The Dr. Williams Medicine Company of Australasia, Limited, a company duly incorporated under and by virtue of the laws of the State of New South Wales, Commonwealth of Australia, and having its registered office at 6 Dalley Street, Sydney, New South Wales aforesaid. (G. T. Fulford Company, Limited—G. T. Fullford, "Dr. Williams Pink Pills for Pale People Medicine Company.") 3rd February, 1910.

No. 2220/1779.—Singer and Co. (1909), Limited, of Canterbury Street, Coventry, in the County of Warwick, England, velocipede-manufacturers. (Singer and Co., Limited—G. Singer and J. C. Stringer.) 31st January, 1910.

Trade Mark Renewal Fee paid.

FREE paid for the renewal of the undermentioned Trade Mark for fourteen years from the date first mentioned:—

No. 1656/1335.—11th March, 1910.—Sharland and Co., Limited, Auckland, New Zealand. 1st February, 1910.

Trade Marks removed from the Register.

TRADE Marks removed from the Register owing to the non-payment of the renewal fee, from the 22nd January to the 4th February, 1910, inclusive:—

No. 1544/1254.—30th October, 1895.—Bickford and Huffman Company, of Macedon, U.S.A. Class 7.

No. 1545/1255.—1st November, 1895.—J. Ballantyne and Co., of Christchurch, N.Z. Class 38.

Trade Mark Registration cancelled.

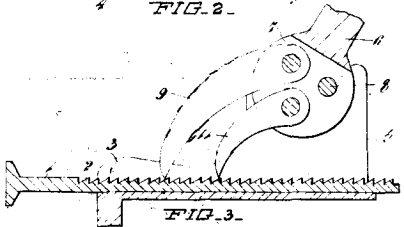
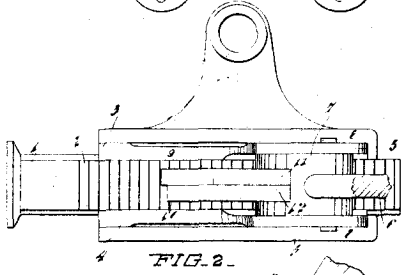
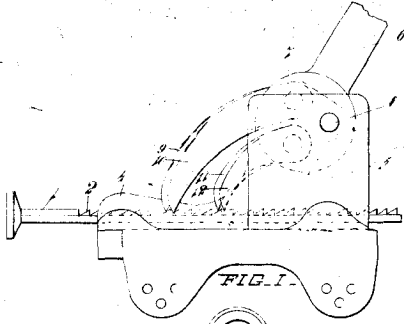
THE entry on the Register in respect of the following trade mark has been cancelled:—

No. 7293/5712.—R. Ellis. (Application and registration advertised respectively in Supplements to *New Zealand Gazette*, No. 39, of the 14th May, 1908, and 58, of the 23rd July, 1908.)

By Authority: JOHN MACRAY, Government Printer, Wellington.

ILLUSTRATIONS OF INVENTIONS.

[These illustrations refer to the complete specifications accepted, and advertised in this *Gazette*.]



Floor-cramp. Craddock. 25518.

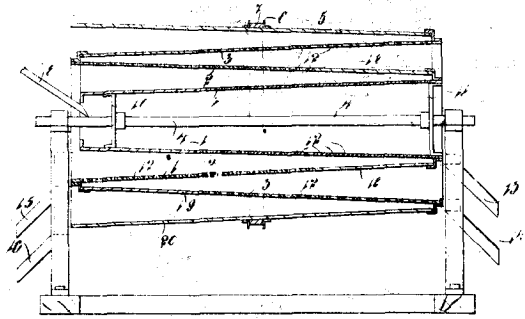
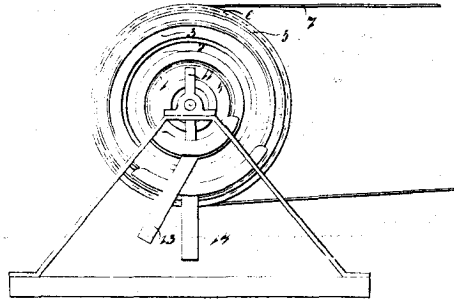
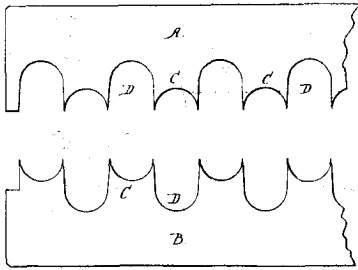


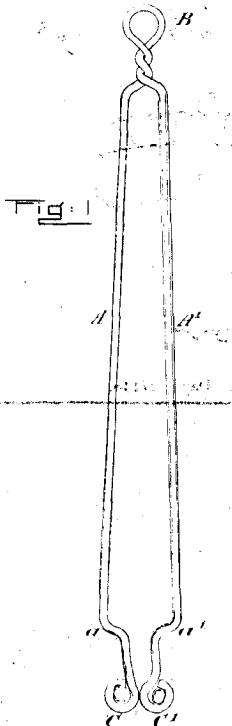
FIG. 2.



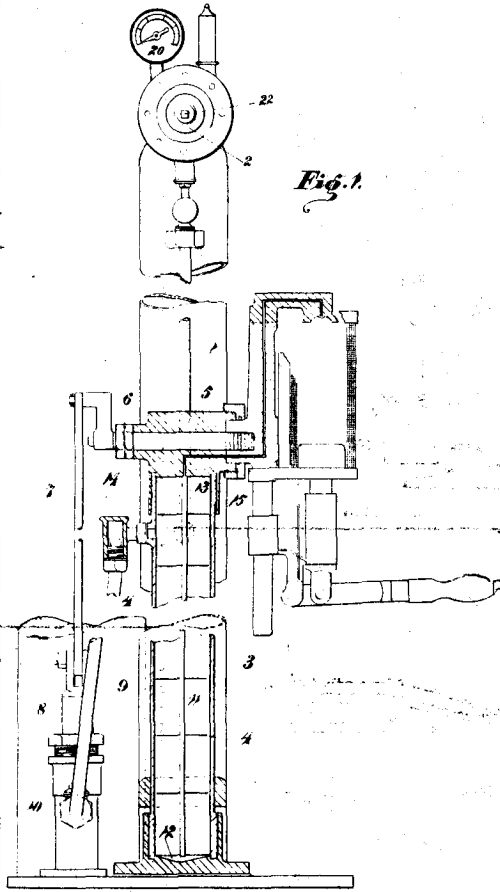
Seed Cleaner and Separator. Hanna. 23780.



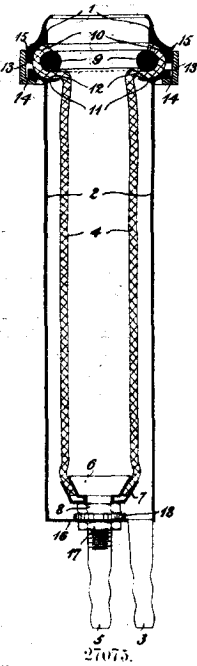
Brush-machine. Roseman. 25711.



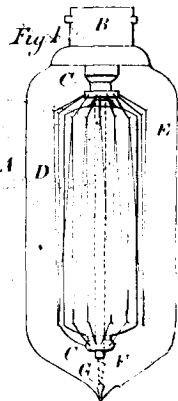
Book-clip. Wilson and Pike. 26201.



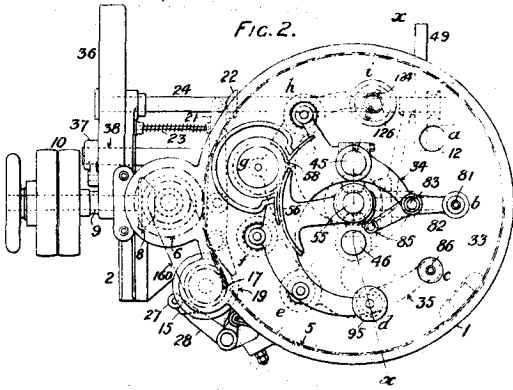
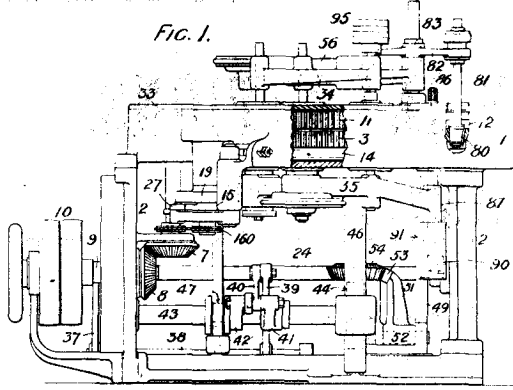
Bottling-machine. Brown. 26610.



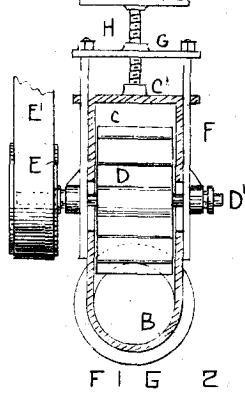
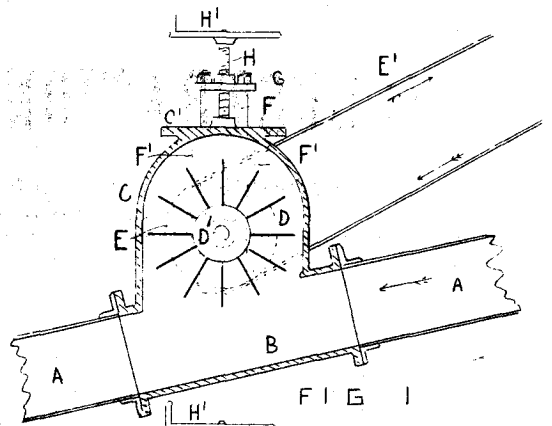
Milking-machine Teat-cap. Sabroe. 27075.



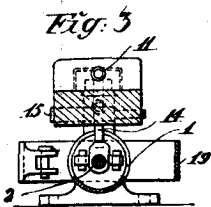
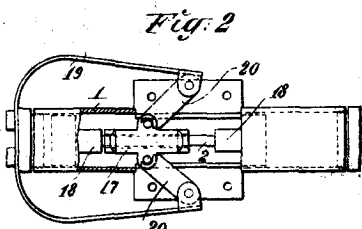
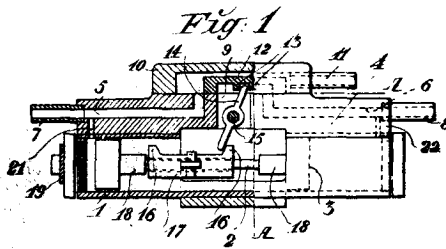
Electric Lamp. Meszaros. 26649.



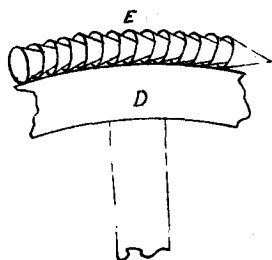
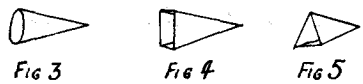
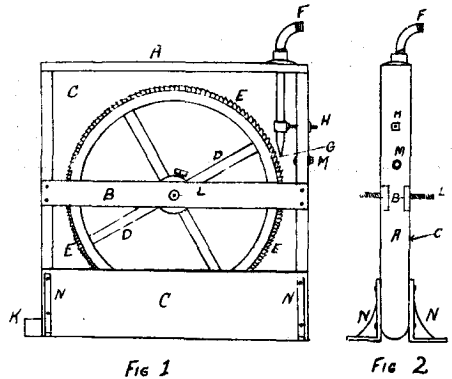
Paper-vessel Manufacture. Mono-Service Vessels (Limited). Taylor. 27072.



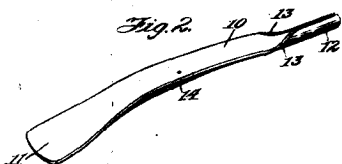
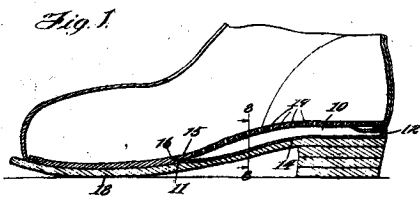
Water-wheel Motor. Laffey and Hutton. 27116.



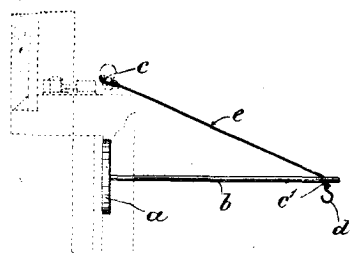
Pipe-conduit. Lindstrom. 27110.



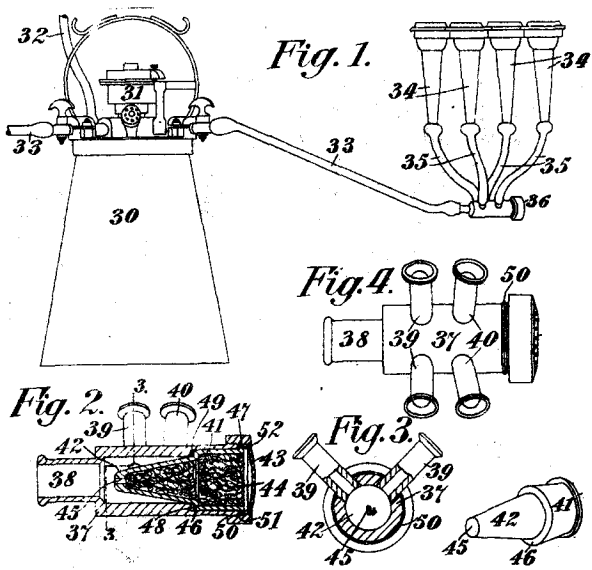
Water-wheel. Day. 27148.



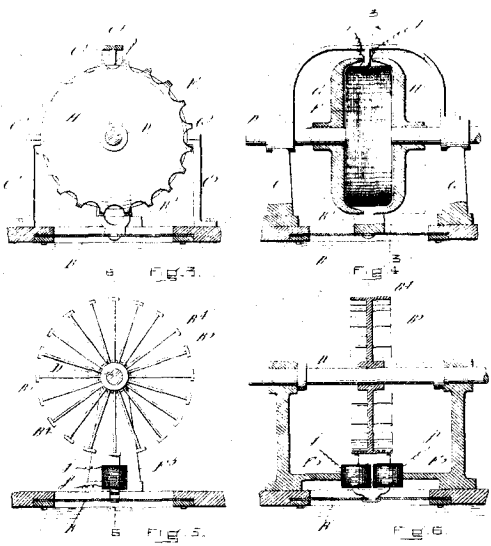
Shoe. Ball. 26696.



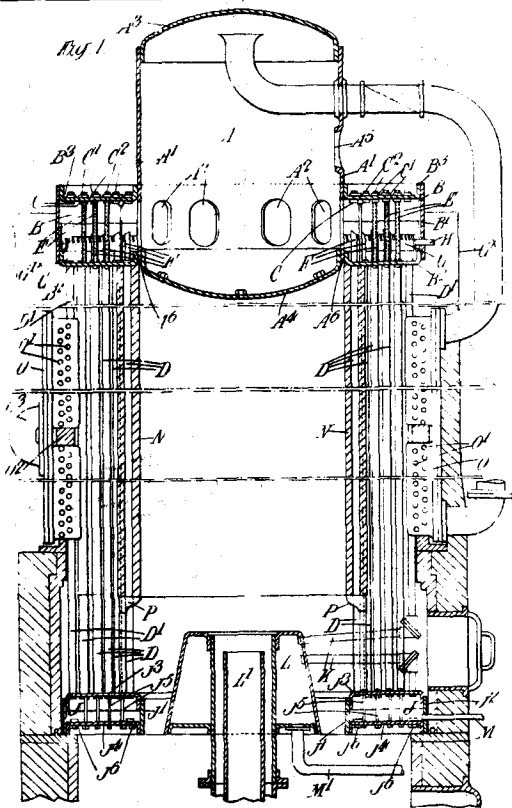
Bird-cage, &c., Suspender. Sewill. 27144.



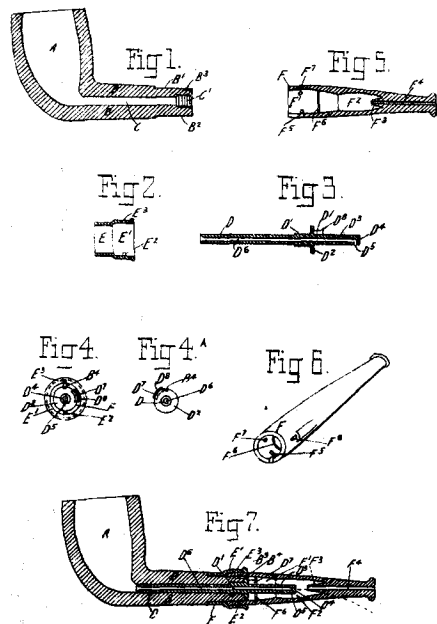
Milking-machine. Lawrence and Kennedy. (Lane.) 27046.



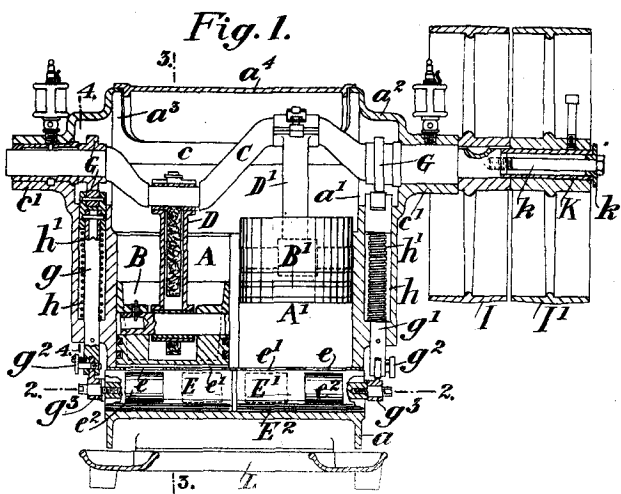
Submarine-sounder. Submarine Signal Company. (Wood.) 27052.



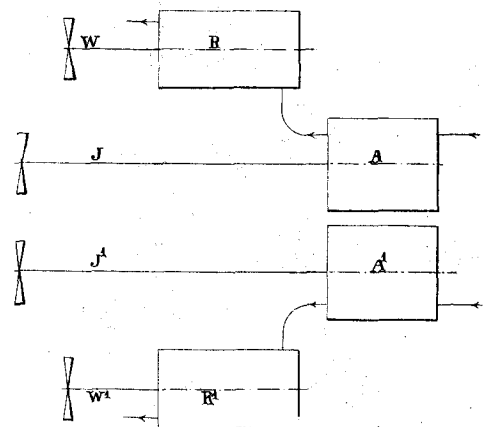
Steam-generator. Bettington. 27076.



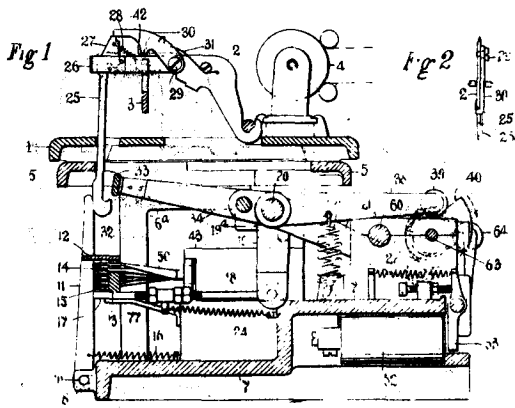
Pipe, Tobacco. Cook. 27114.



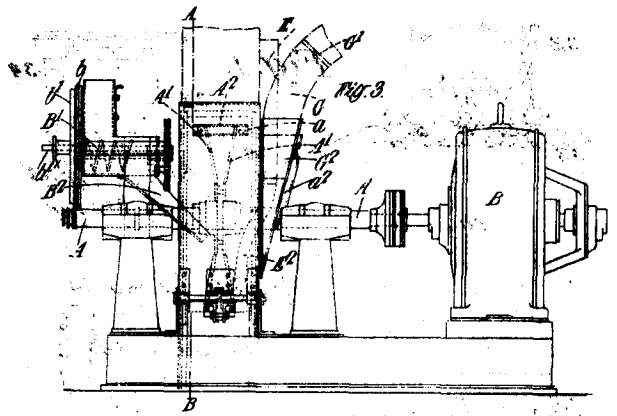
Pump, Vacuum. Lawrence and Kennedy. (Datzell.) 27001.



Turbine. Brown. 27104.



Printer, Telegraph. Murray. 26826.



Pulverising-machine. Bettington. 27077.

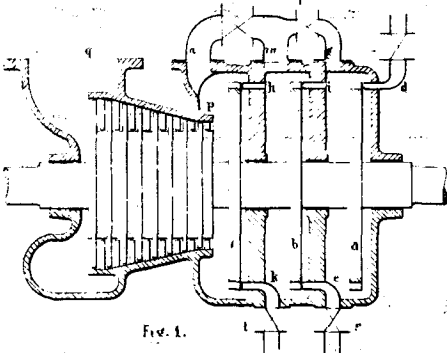
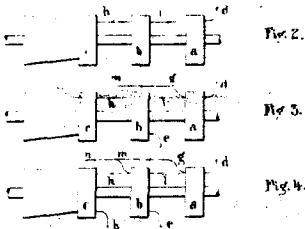


Fig. 1.



Tubeline. Brown. 27109.

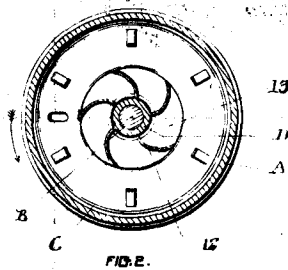


FIG. 2.

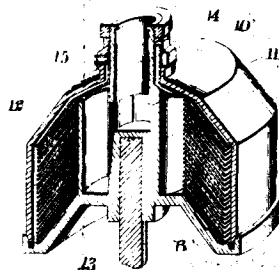


FIG. 1.

Milk and Cream Separator. Low. 27112.

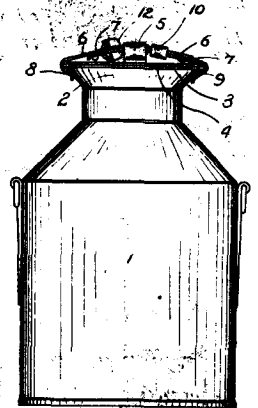
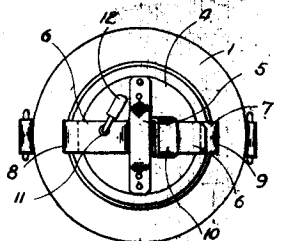


FIG. 1.



Mechanism. Walker. 25689.

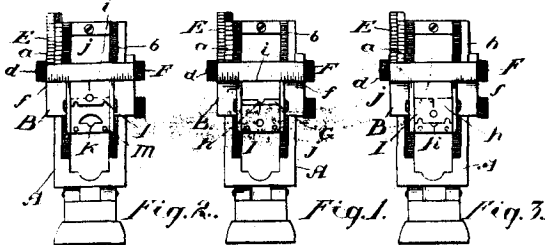
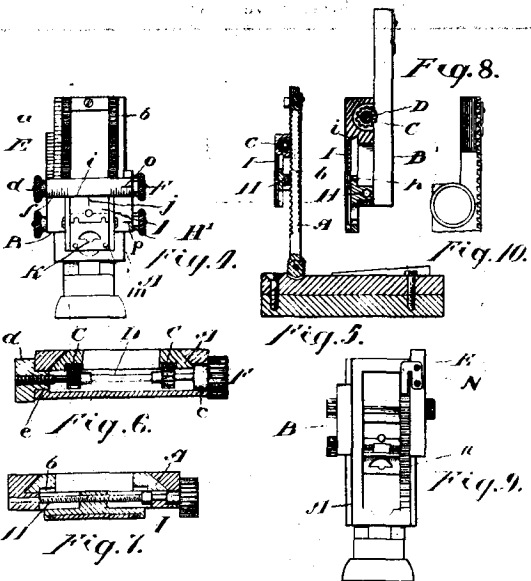
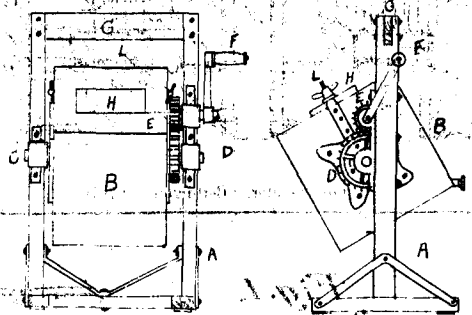


Fig. 1. Fig. 2. Fig. 3.



Rifle-sight. Clifford. 27116.



Washing machine. Fischer. 27117.